
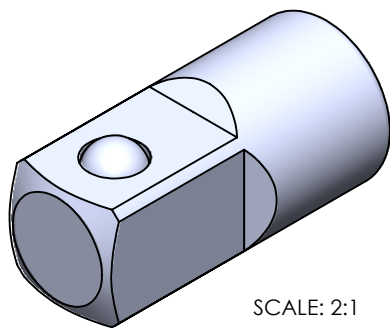
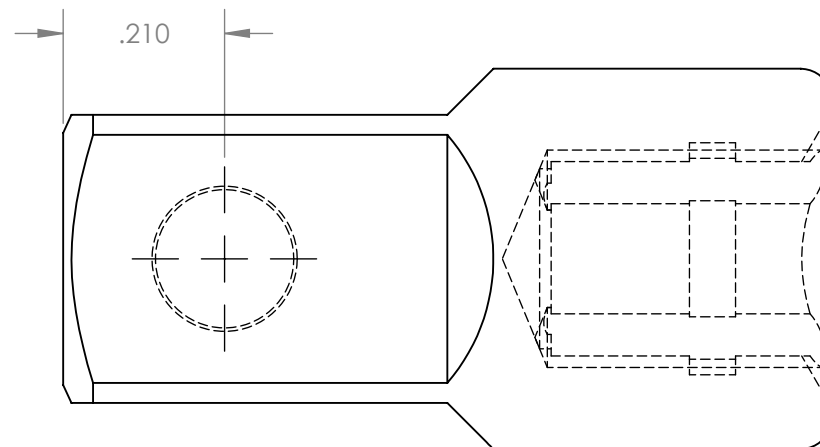
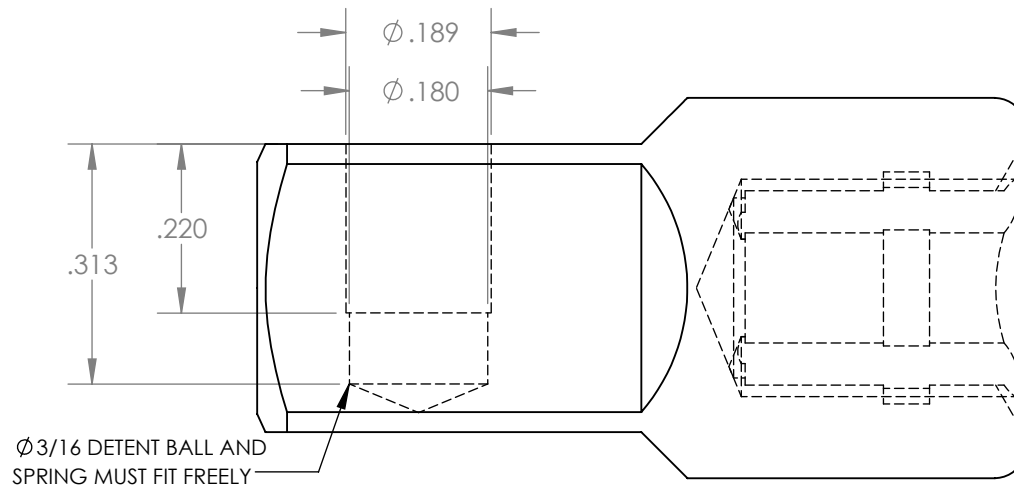
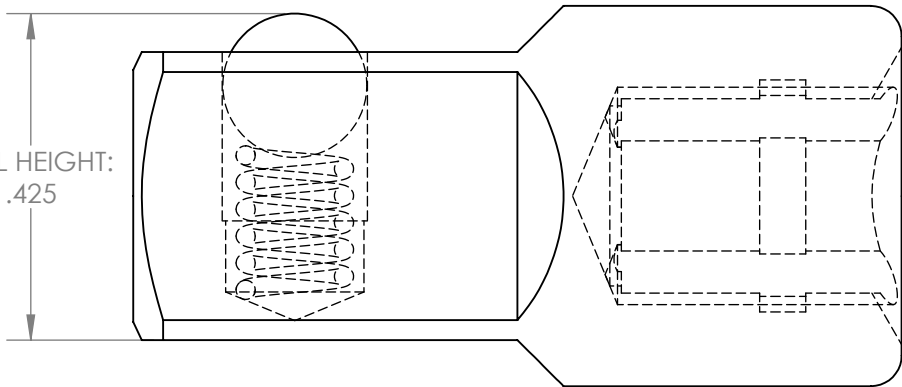



UNLESS OTHERWISE SPECIFIED: DIMENSIONS ARE IN INCHES			TOLERANCES: X.XX= ±0.13 X.XXX= ±0.015 X.XXXX= -0.0015		 <p>The Global Source for Stainless Steel Tools</p>
DRAWN	NAME	SIGN	DATE		
APPVD	A.T.		06.12.19		
MATERIAL: 17-4 MAGNETIC S.S.					TITLE: 3/8" MALE DRIVE X 1/4" FEMALE DRIVE BIT
THIS DRAWING IS THE PROPERTY OF STERITOOL, INC. ANY REPRODUCTIONS OR MODIFICATIONS OF THIS DRAWING OR ITS CONTENTS WITHOUT THE CONSENT OF STERITOOL, INC. IS PROHIBITED.					PART NO. 10595
					SCALE: 4:1

BALL HEIGHT:
.425



SCALE: 2:1

UNLESS OTHERWISE SPECIFIED: DIMENSIONS ARE IN INCHES			TOLERANCES: X.XX= ±0.13 X.XXX= ±0.015 X.XXXX= -0.0015		 <p>The Global Source for Stainless Steel Tools</p>
DRAWN	NAME	SIGN	DATE		
APP'VD	A.T.		06.12.19		
MATERIAL: 17-4 MAGNETIC S.S.					TITLE: 3/8" MALE DRIVE X 1/4" FEMALE DRIVE BIT
<i>THIS DRAWING IS THE PROPERTY OF STERITOOL, INC. ANY REPRODUCTIONS OR MODIFICATIONS OF THIS DRAWING OR ITS CONTENTS WITHOUT THE CONSENT OF STERITOOL, INC. IS PROHIBITED.</i>					PART NO. 10595
					SCALE: 4:1